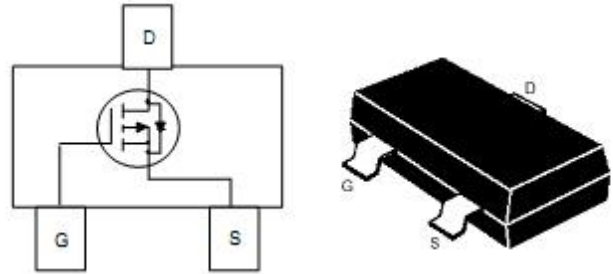




GM3621

SOT-23 場效應晶體管(SOT-23 Field Effect Transistors)



**P-Channel Enhancement-Mode MOS FETs**

**P 溝道增強型 MOS 場效應管**

**■MAXIMUM RATINGS 最大額定值**

Characteristic 特性參數	Symbol 符號	Rat 額定值	Unit 單位
Drain-Source Voltage 漏極-源極電壓	$BV_{DSS}$	-30	V
Gate- Source Voltage 柵極-源極電壓	$V_{GS}$	$\pm 12$	V
Drain Current (continuous) 漏極電流-連續	$I_D$	-6	A
Drain Current (pulsed) 漏極電流-脈沖	$I_{DM}$	-30	A
Total Device Dissipation 總耗散功率 $T_A=25^\circ\text{C}$ 環境溫度為 $25^\circ\text{C}$	$P_D$	1400	mW
Junction 結溫	$T_J$	150	$^\circ\text{C}$
Storage Temperature 儲存溫度	$T_{stg}$	-55to+150	$^\circ\text{C}$

**■DEVICE MARKING 打標**

**GM3621=3621**

GM3621

■ELECTRICAL CHARACTERISTICS 電特性

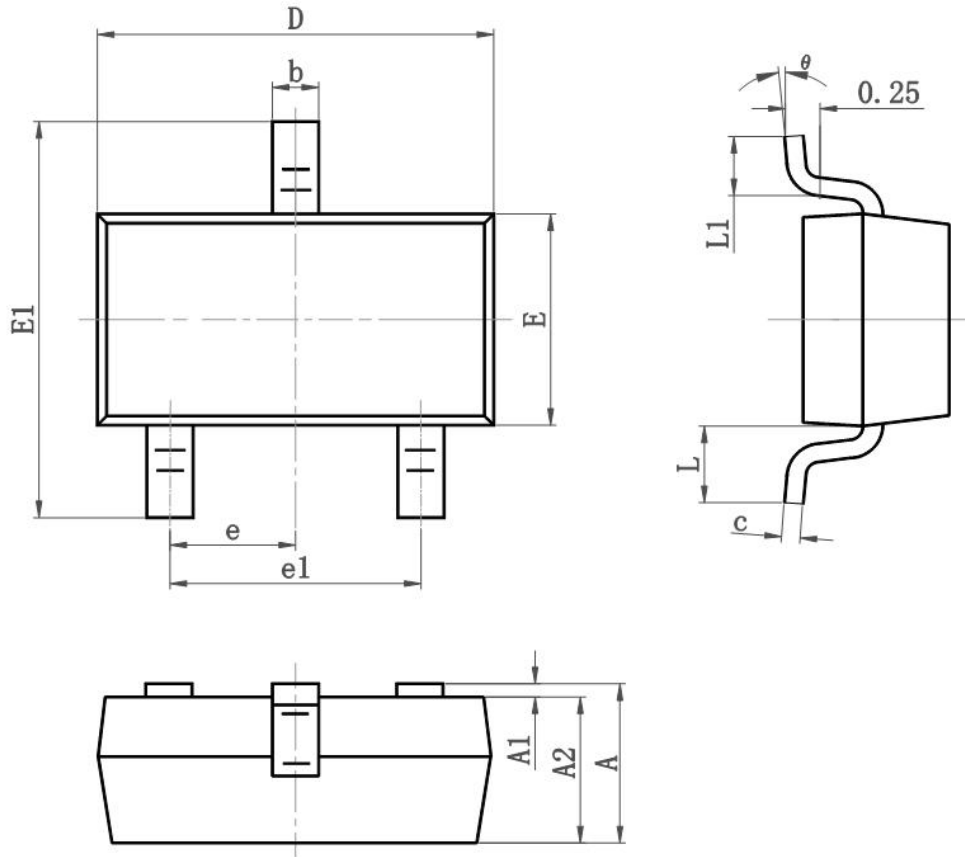
( $T_A=25^{\circ}\text{C}$  unless otherwise noted 如無特殊說明，溫度為  $25^{\circ}\text{C}$ )

Characteristic 特性參數	Symbol 符號	Min 最小值	Typ 典型值	Max 最大值	Unit 單位
Drain-Source Breakdown Voltage 漏極-源極擊穿電壓( $I_D = -250\mu\text{A}, V_{GS}=0\text{V}$ )	$BV_{DSS}$	-30	—	—	V
Gate Threshold Voltage 柵極開啓電壓( $I_D = -250\mu\text{A}, V_{GS}=V_{DS}$ )	$V_{GS(th)}$	-0.6	—	-1.3	V
Diode Forward Voltage Drop 內附二極管正向壓降( $I_S = -1\text{A}, V_{GS}=0\text{V}$ )	$V_{SD}$	—	—	-1	V
Zero Gate Voltage Drain Current 零柵壓漏極電流( $V_{GS}=0\text{V}, V_{DS} = -24\text{V}$ )	$I_{DSS}$	—	—	-1	$\mu\text{A}$
Gate Body Leakage 柵極漏電流( $V_{GS}=\pm 12\text{V}, V_{DS}=0\text{V}$ )	$I_{GSS}$	—	—	$\pm 100$	nA
Static Drain-Source On-State Resistance 靜態漏源導通電阻( $I_D = -5\text{A}, V_{GS} = -10\text{V}$ )	$R_{DS(ON)}$	—	19	21	$\text{m}\Omega$
Static Drain-Source On-State Resistance 靜態漏源導通電阻( $I_D = -4\text{A}, V_{GS} = -4.5\text{V}$ )	$R_{DS(ON)}$	—	23	25	$\text{m}\Omega$
Static Drain-Source On-State Resistance 靜態漏源導通電阻( $I_D = -2\text{A}, V_{GS} = -2.5\text{V}$ )	$R_{DS(ON)}$	—	31	35	$\text{m}\Omega$
Input Capacitance 輸入電容 ( $V_{GS}=0\text{V}, V_{DS} = -15\text{V}, f=1\text{MHz}$ )	$C_{ISS}$	—	600	—	pF
Output Capacitance 輸出電容 ( $V_{GS}=0\text{V}, V_{DS} = -15\text{V}, f=1\text{MHz}$ )	$C_{OSS}$	—	120	—	pF
Turn-ON Time 開啓時間 ( $V_{DS} = -15\text{V}, V_{GS} = -10\text{V}, R_{GEN}=6\Omega$ )	$t_{(on)}$	—	8	—	ns
Turn-OFF Time 關斷時間 ( $V_{DS} = -15\text{V}, V_{GS} = -10\text{V}, R_{GEN}=6\Omega$ )	$t_{(off)}$	—	60	—	ns

Pulse Width $\leq 300\mu\text{s}$ ; Duty Cycle $\leq 2.0\%$

GM3621

■DIMENSION 外形封裝尺寸



Symbol	Dimensions In Millimeters		Dimensions In Inches	
	Min	Max	Min	Max
A	0.900	1.150	0.035	0.045
A1	0.000	0.100	0.000	0.004
A2	0.900	1.050	0.035	0.041
b	0.300	0.500	0.012	0.020
c	0.080	0.150	0.003	0.006
D	2.800	3.000	0.110	0.118
E	1.500	1.700	0.059	0.067
E1	2.250	2.550	0.089	0.100
e	0.950TYP		0.037TYP	
e1	1.800	2.000	0.071	0.079
L	0.550REF		0.022REF	
L1	0.300	0.500	0.012	0.020
θ	0°	8°	0°	6°